

RABCO Products

Thousands of Hard to Find Sizes

Sheet Protectors / Document Holders Direct from the Manufacturer
 We specialize in supplying you with the very hard to find sizes of document holders.

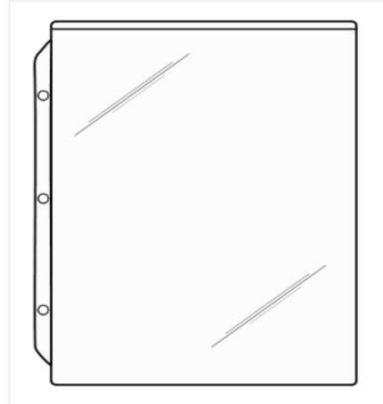
Toll Free: 888-796-6592
 Email: rabco@rabcoproducts.com
 Web Page: <http://www.rabcoproducts.com>
 Mailing Address:
 RABCO Products Inc.
 PO Box 1087
 Spearfish, SD 57783

Quality: You will notice a heavy duty - durable feel the moment you pick up one of our sheet protectors or vinyl envelopes. The big box store document holders have a flimsy - non sturdy feel to them.

SHEET PROTECTORS / PAGE PROTECTORS

Standard Sheet Protector comes with:

- o 6 Gauge Crystal Clear Vinyl
- o Open Short Side
- o 3 Hole Punch on the Long Side
- o Holes are spaced 4 1/4" apart and 2 3/4" apart depending on the size of the holder
- o Heavy Duty and Durable Quality
- o These are not those flimsy sheet protectors found in other stores



Custom Options Available:

- o Open on the LONG side
- o Multiple hole punches available or No hole punches as well
- o Holes are 1/4" in diameter but can be 3/8" in diameter
- o Different translucent colors - orange, red, blue, green and more
- o Call today for more information - 888-796-6592
- o If you don't see your size - please call us - we have more sizes to choose from. Thank you for looking!

Our Most Popular Sellers

Part No	Capacity of Holder	10	25	50	100	500	1000	2500	5000
PT600	8 1/2 x 11				0.49	0.47	0.45	0.43	0.41
PT840	5 1/2 x 8 1/2	0.89	0.77	0.46	0.46	0.44	0.42	0.40	0.38
PT860	11 x 17 (LANDSCAPE)	1.19	1.05	0.89	0.70	0.69	0.68	0.66	0.64
PT2412	8 1/2 x 11 (LANDSCAPE)	0.97	0.87	0.79	0.52	0.50	0.48	0.46	0.44

Part No	Capacity of Holder				300	500	1000	2500	5000
PT2597FO	11 x 17 (Fold Out)				0.78	0.76	0.74	0.72	0.70
PT1885	2 1/8 x 10 5/8				0.40	0.38	0.36	0.34	0.32
PT1221	3 x 6 1/2				0.35	0.33	0.31	0.29	0.27
PT1774	3 1/4 x 6 1/2				0.35	0.33	0.31	0.29	0.27
PT2662	3 1/2 x 6 1/2				0.35	0.33	0.31	0.29	0.27
PT1753	3 1/2 x 8 1/2				0.39	0.37	0.35	0.33	0.31
PT1692	3 1/2 x 11				0.42	0.40	0.38	0.36	0.34
PT1715	3 3/4 x 8 5/8				0.39	0.37	0.35	0.33	0.31
PT2429	3 3/4 x 10 5/8				0.42	0.40	0.38	0.36	0.34
PT654	3 3/4 x 11				0.42	0.40	0.38	0.36	0.34
PT2183	4 x 6				0.36	0.34	0.32	0.30	0.28
PT1459	4 x 10 7/8				0.43	0.41	0.39	0.37	0.35
PT2385	4 3/8 x 8				0.39	0.37	0.35	0.33	0.31
PT2728	4 1/4 x 6 3/8				0.38	0.36	0.34	0.32	0.30
PT682	4 1/4 x 8 3/8				0.39	0.37	0.35	0.33	0.31
PT656	4 1/4 x 11				0.40	0.38	0.36	0.34	0.32
PT1946	4 1/2 x 7 5/8				0.39	0.37	0.35	0.33	0.31
PT2356	4 1/2 x 8 5/8				0.40	0.38	0.36	0.34	0.32
PT1733	4 5/8 x 7 5/8				0.39	0.37	0.35	0.33	0.31
PT1210	4 5/8 x 8				0.38	0.36	0.34	0.32	0.30
PT2692	4 3/4 x 7 7/8				0.39	0.37	0.35	0.33	0.31

Part No	Capacity of Holder				300	500	1000	2500	5000
PT2666	4 3/4 x 10 5/8				0.44	0.42	0.40	0.38	0.36
PT1323	4 3/8 x 7 5/8				0.39	0.37	0.35	0.33	0.31
PT2598	4 7/8 x 7 5/8				0.40	0.38	0.36	0.34	0.32
PT1907	5 1/8 x 8 5/8				0.42	0.40	0.38	0.36	0.34
PT2376	5 3/16 x 8 1/2				0.42	0.40	0.38	0.36	0.34
PT1751	5 1/4 x 7 1/8				0.39	0.37	0.35	0.33	0.31
PT1896	5 1/4 x 8 1/8				0.42	0.40	0.38	0.36	0.34
PT2609	5 1/4 x 8 1/8				0.42	0.40	0.38	0.36	0.34
PT1879	5 5/16 x 10 3/8				0.43	0.41	0.39	0.37	0.35
PT1956	5 5/16 x 11				0.44	0.42	0.40	0.38	0.36
PT2061	5 5/16 x 11 3/8				0.44	0.42	0.40	0.38	0.36
PT1685	5 5/16 x 7 7/8				0.42	0.40	0.38	0.36	0.34
PT2500	5 3/8 x 7 3/8				0.40	0.38	0.36	0.34	0.32
PT846	5 3/8 x 8 1/8				0.42	0.40	0.38	0.36	0.34
PT1214	5 3/8 x 8 3/8				0.40	0.38	0.36	0.34	0.32
PT1568	5 3/8 x 8 3/8				0.42	0.40	0.38	0.36	0.34
PT845	5 3/8 x 8				0.45	0.43	0.41	0.39	0.37
PT1527	5 1/2 x 7 1/4				0.40	0.38	0.36	0.34	0.32
PT2350	5 1/2 x 8 3/8				0.42	0.40	0.38	0.36	0.34
PT1200	5 5/8 x 8 1/4				0.40	0.38	0.36	0.34	0.32
PT2762	5 5/8 x 10 5/8				0.46	0.44	0.42	0.40	0.38
PT644	5 7/8 x 8 1/4				0.43	0.41	0.39	0.37	0.35
PT821	5 7/8 x 8 3/4				0.42	0.40	0.38	0.36	0.34
PT1236	5 7/8 x 9 1/8				0.43	0.41	0.39	0.37	0.35
PT1155	6 x 10 3/4				0.44	0.42	0.40	0.38	0.36
PT1225	6 3/16 x 12				0.48	0.46	0.44	0.42	0.40
PT1701	6 1/4 x 8 3/8				0.44	0.42	0.40	0.38	0.36
PT2661	6 1/8 x 8				0.43	0.41	0.39	0.37	0.35
PT577	6 1/8 x 9 1/4				0.41	0.39	0.37	0.35	0.33
PT2120	6 1/8 x 9 1/8				0.47	0.45	0.43	0.41	0.39
PT2303	6 3/8 x 8 3/4				0.44	0.42	0.40	0.38	0.36
PT2147	7 x 9 3/8				0.46	0.44	0.42	0.40	0.38
PT1437	7 1/2 x 11 1/8				0.49	0.47	0.45	0.43	0.41
PT763	7 1/8 x 11 3/8				0.49	0.47	0.45	0.43	0.41
PT1770	7 1/2 x 11 3/8				0.49	0.47	0.45	0.43	0.41
PT1272	7 3/4 x 10 5/8				0.48	0.46	0.44	0.42	0.40
PT1408	7 7/16 x 8 3/8				0.46	0.44	0.42	0.40	0.38
PT1741	7 7/8 x 10 7/8				0.49	0.47	0.45	0.43	0.41
PT2209	7 7/8 x 10 7/8				0.49	0.47	0.45	0.43	0.41
PT903	7 7/8 x 11				0.49	0.47	0.45	0.43	0.41
PT904	7 7/8 x 11				0.49	0.47	0.45	0.43	0.41
PT2215	7 9/16 x 11 1/4				0.49	0.47	0.45	0.43	0.41
PT510	8 x 10				0.48	0.46	0.44	0.42	0.40
PT902	8 x 11				0.49	0.47	0.45	0.43	0.41
PT1038	8 1/8 x 11				0.48	0.46	0.44	0.42	0.40
PT984	8 1/8 x 13				0.53	0.51	0.49	0.47	0.45
PT1869A	8 1/4 x 9 1/8				0.46	0.44	0.42	0.40	0.38
PT1122	8 5/16 x 10 1/4				0.48	0.46	0.44	0.42	0.40
PT2478	8 1/4 x 10 7/8				0.49	0.47	0.45	0.43	0.41
PT394	8 1/4 x 11				0.48	0.46	0.44	0.42	0.40
PT687	8 1/4 x 11 1/8				0.49	0.47	0.45	0.43	0.41

Part No	Capacity of Holder				300	500	1000	2500	5000
PT2029	8 1/4 x 11 5/8				0.52	0.50	0.48	0.46	0.44
PT2579	8 1/4 x 12 1/8				0.52	0.50	0.48	0.46	0.44
PT2127	8 3/8 x 9 3/4				0.48	0.46	0.44	0.42	0.40
PT2734	8 3/8 x 10 3/4				0.49	0.47	0.45	0.43	0.41
PT1677	8 3/8 x 10 5/8				0.49	0.47	0.45	0.43	0.41
PT390	8 3/8 x 10 5/8				0.49	0.47	0.45	0.43	0.41
PT1518	8 3/8 x 11				0.49	0.47	0.45	0.43	0.41
PT1650	8 3/8 x 11				0.49	0.47	0.45	0.43	0.41
PT2681	8 3/8 x 11 1/8				0.51	0.49	0.47	0.45	0.43
PT2176	8 3/8 x 11 1/4				0.49	0.47	0.45	0.43	0.41
PT2244	8 3/8 x 11 1/2				0.49	0.47	0.45	0.43	0.41
PT2065	8 3/8 x 11 5/8				0.51	0.49	0.47	0.45	0.43
PT1869B	8 1/2 x 9 1/8				0.46	0.44	0.42	0.40	0.38
PT1513	8 1/2 x 10 7/8				0.49	0.47	0.45	0.43	0.41
PT1117	8 1/2 x 10 7/8				0.49	0.47	0.45	0.43	0.41
PT2008	8 1/2 x 11 3/8				0.53	0.51	0.49	0.47	0.45
PT600	8 1/2 x 11				0.49	0.47	0.45	0.43	0.41
PT800	8 1/2 x 14				0.59	0.57	0.55	0.53	0.51
PT1869C	8 3/4 x 9 1/8				0.47	0.45	0.43	0.41	0.39
PT398	8 3/4 x 9 7/8				0.52	0.50	0.48	0.46	0.44
PT650	8 3/4 x 11				0.50	0.48	0.46	0.44	0.42
PT1127	8 3/4 x 10 3/4				0.51	0.49	0.47	0.45	0.43
PT964	8 3/4 x 10 3/4				0.51	0.49	0.47	0.45	0.43
PT792	8 3/4 x 11 1/4				0.52	0.50	0.48	0.46	0.44
PT1998	8 3/4 x 11 3/4				0.56	0.54	0.52	0.50	0.48
PT381	8 5/8 x 10 1/4				0.49	0.47	0.45	0.43	0.41
PT1170	8 5/8 x 11				0.51	0.49	0.47	0.45	0.43
PT2453	8 5/8 x 11				0.51	0.49	0.47	0.45	0.43
PT396	8 5/8 x 11				0.52	0.50	0.48	0.46	0.44
PT1339	8 5/8 x 11 1/4				0.51	0.49	0.47	0.45	0.43
PT700	8 5/8 x 12 1/8				0.57	0.55	0.53	0.51	0.49
PT1869D	9 x 9 1/8				0.47	0.45	0.43	0.41	0.39
PT1185	9 x 11				0.55	0.53	0.51	0.49	0.47
PT1371	9 x 11				0.56	0.54	0.52	0.50	0.48
PT832	9 x 11				0.52	0.50	0.48	0.46	0.44
PT1974	9 x 11 3/8				0.56	0.54	0.52	0.50	0.48
PT2481	9 x 11 7/8				0.57	0.55	0.53	0.51	0.49
PT1942	9 x 12 1/4				0.57	0.55	0.53	0.51	0.49
PT2379	9 1/8 x 10 5/8				0.56	0.54	0.52	0.50	0.48
PT1869E	9 1/4 x 8 1/8				0.48	0.46	0.44	0.42	0.40
PT1648	9 1/4 x 11 5/8				0.57	0.55	0.53	0.51	0.49
PT1435	9 1/4 x 12 1/2				0.59	0.57	0.55	0.53	0.51
PT839	10 x 12 3/4				0.60	0.58	0.56	0.54	0.52
PT2076	10 1/2 x 11 1/2				0.60	0.58	0.56	0.54	0.52
PT1927	10 1/2 x 11 1/4				0.60	0.58	0.56	0.54	0.52
PT499	10 1/2 x 12				0.60	0.58	0.56	0.54	0.52
PT2778	10 1/4 x 11				0.60	0.58	0.56	0.54	0.52
PT1881	10 7/8 x 25 3/8				1.24	1.22	1.20	1.18	1.16
PT900	11 x 14				0.74	0.72	0.70	0.68	0.66
PT1262	11 x 17				0.81	0.79	0.77	0.75	0.73
PT1680	11 1/8 x 14 5/8				0.74	0.72	0.70	0.68	0.66

Part No	Capacity of Holder				300	500	1000	2500	5000
PT837	11 1/4 x 13 5/8				0.73	0.71	0.69	0.67	0.65
PT958	11 1/2 x 15 1/8				0.75	0.73	0.71	0.69	0.67
PT1821	12 1/2 x 16 1/8				0.81	0.79	0.77	0.75	0.73
PT2424	12 1/4 x 17 1/8				0.82	0.80	0.78	0.76	0.74
PT2501	12 3/8 x 17 1/8				0.85	0.83	0.81	0.79	0.77
PT2711	12 5/8 x 16 1/2				0.81	0.79	0.77	0.75	0.73
PT2522	12 5/8 x 16 3/8				0.81	0.79	0.77	0.75	0.73
PT1266	13 x 13				0.73	0.71	0.69	0.67	0.65

RABCO Products

Thousands of Hard to Find Sizes

Sheet Protectors / Document Holders Direct from the Manufacturer

We specialize in supplying you with the very hard to find sizes of document holders.

Toll Free: 888-796-6592

Email: rabco@rabcoproducts.com

Web Page: <http://www.rabcoproducts.com>

Mailing Address:

RABCO Products Inc.

PO Box 1087

Spearfish, SD 57783

Quality: You will notice a heavy duty - durable feel the moment you pick up one of our sheet protectors or vinyl envelopes. The big box store document holders have a flimsy - non sturdy feel to them.

SHEET PROTECTORS / PAGE PROTECTORS

Standard Sheet Protector comes with:

- o 6 Gauge Crystal Clear Vinyl
- o Open Short Side
- o 3 Hole Punch on the Long Side
- o Holes are spaced 4 1/4" apart and 2 3/4" apart depending on the size of the holder
- o Heavy Duty and Durable Quality
- o These are not those flimsy sheet protectors found in other stores

Custom Options Available:

- o Open on the LONG side
- o Multiple hole punches available or No hole punches as well
- o Holes are 1/4" in diameter but can be 3/8" in diameter
- o Different translucent colors - orange, red, blue, green and more
- o Call today for more information - 888-796-6592
- o If you don't see your size - please call us - we have more sizes to choose from. Thank you for looking!

